

The following SDS references the products below:

Wheel with ¼" shank. 3" outside diameter , crimped brass coated steel wire gauge .012", JAZ standard markings and packaging. Maximum safety RPM: 15,000. Recommended RPM: 5,000

Vendor Item Number: 95600

Manufactured By:

Jaz USA, Inc

Distributed by Kimball Midwest with the KM product-identification number:

87-1198

**KIMBALL
MIDWEST**

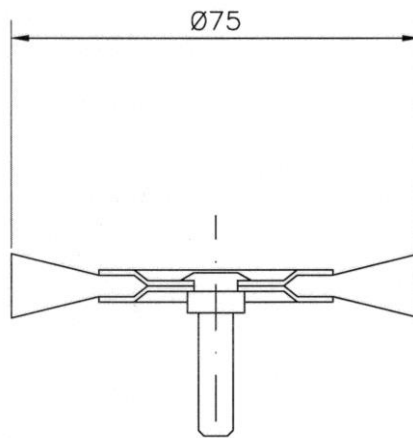
Specializing in Materials Management

MATERIAL DATA SHEET	PAGE: 1 OF 2
MODEL: 95600	DATE: 17-05-2016

SECTION I. PRODUCT DESCRIPTION

Wheel with ¼" shank. 3" outside diameter , crimped brass coated steel wire gauge .012", JAZ standard markings and packaging. Maximum safety RPM: 15,000. Recommended RPM: 5,000

SECTION II. PHYSICAL DATA AND DIMENSIONS



According to above drawing, 3" diameter,
Total N° of .012" wire ends in the brush: 4,000
Weight of total product: 75 grs.

SECTION III. CHEMICAL COMPOSITION OF WIRE

Brass Coated Steel Wire with following chemical composition:

C = 0,65 – 0,85%

Mn = 0,40 – 0,80%

Si = 0,15 – 0,30 %

There is no special requirements nor standards in the technical brushware industry related to the steel wires used in our products.



MATERIAL DATA SHEET	PAGE: 2 OF 2
MODEL: 95600	DATE: 17-05-2016

SECTION IV. SAFETY DATA

The European Standard EN 1083-2 about Safety Requirements in the use of Power-driven brushes states the safety instructions that all brush operators must observe. These requirements and common safety practices will reduce the likelihood of physical injury and brush fail: Wear safety goggles, protective clothing and equipment. Observe all speed restrictions indicated on the brushes, packaging or catalogue.

And do not exceed Maximum Safe Free Speed (Max. RPM) under any circumstances.

Keep machine guards in place.

Do not use deteriorated brushes

The power tool speed influences the performance of the brush and the safety of the operator. If load speed marked on the power tool is higher than the brush Maximum RPM do not mount brush. Maximum RPM are indicated on brush side-plates and shall never be exceeded. For most brushing applications optimum results are achieved at the Recommended RPM specified in our catalogue for every power driven brush.

Eibar, Spain, May 17th 2016.

**Signed by: OSCAR VAZQUEZ
Manufacturing Director**

**Signed by: MANUEL LEDO
Quality Manager**